

Swivel Clamp Connector Joints

Aluminum / Stainless Steel

SPECIFICATION

Types

- Type **A**: With socket cap screw DIN 912
- Type **B**: With adjustable hand lever

Aluminum

- Matte finish, tumbled **MT**
- Powder coated
Black, RAL 9005, textured finish **SW**

Stainless Steel precision casting **NI**

- AISI CF-8
- Matte shot-blasted

Socket cap screws DIN 912
Stainless steel AISI 304

Hex nuts DIN 934
Stainless steel AISI 304

Adjustable hand lever

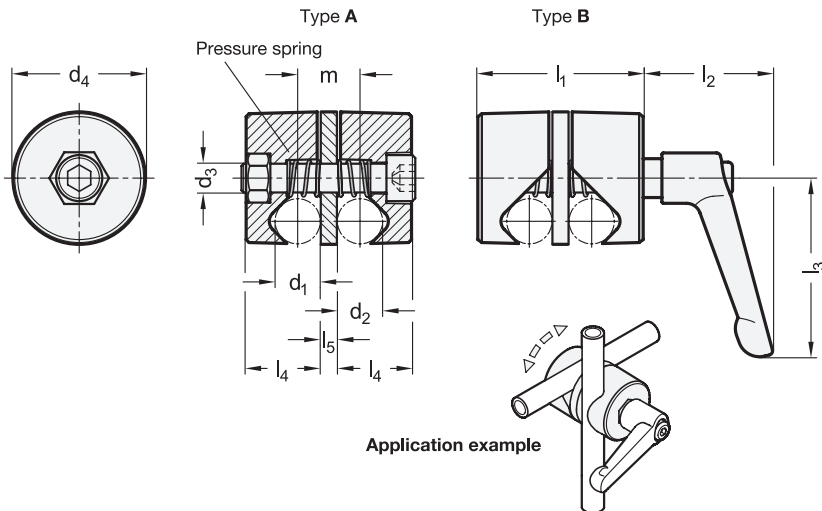
- Zinc die casting (for MT / SW)
Powder coated
Silver, RAL 9006, textured finish
- Stainless steel precision casting AISI CF-8 (for NI)
Matte shot-blasted
- Insert
Stainless steel AISI 303

INFORMATION

Swivel clamp connector joints GN 490 clamp the rods or tubes via a prism, allowing a greater \varnothing tolerance to be bridged. The compression spring makes clamping and releasing easier.

TECHNICAL INFORMATION

- Stainless Steel Characteristics (see page A26)



* Complete with color index (MT or SW)

MT Matte finish, tumbled
SW Black, RAL 9005, textured finish

GN 490-A-AL

Description	d1	d2	d3	d4	l1	l2	l3	l4	l5	m	⚖
GN 490-8-8-A-*	8	8	M 6	28	33	35	45	14	5	13	52
GN 490-10-10-A-*	10	10	M 8	32	45	45	63	20	5	15	95
GN 490-12-12-A-*	12	12	M 8	36	47	45	63	21	5	17	118
GN 490-14-14-A-*	14	14	M 8	46	57	55	78	25.5	6	20	373
GN 490-15-15-A-*	15	15	M 10	46	57	55	78	25.5	6	21	393
GN 490-16-16-A-*	16	16	M 10	46	57	55	78	25.5	6	22	521
GN 490-18-18-A-*	18	18	M 10	56	63	55	78	28.5	6	24	549
GN 490-20-20-A-*	20	20	M 10	56	65	55	78	28.5	8	28	630

Weight Version MT

* Complete with color index (MT or SW)

MT Matte finish, tumbled
SW Black, RAL 9005, textured finish

GN 490-B-AL

Description	d1	d2	d3	d4	l1	l2	l3	l4	l5	m	⚖
GN 490-8-8-B-*	8	8	M 6	28	33	35	45	14	5	13	89
GN 490-10-10-B-*	10	10	M 8	32	45	45	63	20	5	15	179
GN 490-12-12-B-*	12	12	M 8	36	47	45	63	21	5	17	190
GN 490-14-14-B-*	14	14	M 8	46	57	55	78	25.5	6	20	503
GN 490-15-15-B-*	15	15	M 10	46	57	55	78	25.5	6	21	526
GN 490-16-16-B-*	16	16	M 10	46	57	55	78	25.5	6	22	657
GN 490-18-18-B-*	18	18	M 10	56	63	55	78	28.5	6	24	682
GN 490-20-20-B-*	20	20	M 10	56	65	55	78	28.5	8	28	763

Weight Version MT

GN 490-A-NI

STAINLESS STEEL

Description	d1	d2	d3	d4	l1	l2	l3	l4	l5	m	⚖
GN 490-8-8-A-NI	8	8	M 6	28	33	35	45	14	5	13	164
GN 490-10-10-A-NI	10	10	M 8	32	45	45	63	20	5	15	242
GN 490-12-12-A-NI	12	12	M 8	36	47	45	63	21	5	17	297
GN 490-14-14-A-NI	14	14	M 8	46	57	55	78	25.5	6	20	461
GN 490-15-15-A-NI	15	15	M 10	46	57	55	78	25.5	6	21	485
GN 490-16-16-A-NI	16	16	M 10	46	57	55	78	25.5	6	22	488
GN 490-18-18-A-NI	18	18	M 10	56	63	55	78	28.5	6	24	688
GN 490-20-20-A-NI	20	20	M 10	56	65	55	78	28.5	8	28	785

GN 490-B-NI

STAINLESS STEEL

Description	d1	d2	d3	d4	l1	l2	l3	l4	l5	m	⚖
GN 490-8-8-B-NI	8	8	M 6	28	33	35	45	14	5	13	205
GN 490-10-10-B-NI	10	10	M 8	32	45	45	63	20	5	15	335
GN 490-12-12-B-NI	12	12	M 8	36	47	45	63	21	5	17	389
GN 490-14-14-B-NI	14	14	M 8	46	57	55	78	25.5	6	20	608
GN 490-15-15-B-NI	15	15	M 10	46	57	55	78	25.5	6	21	635
GN 490-16-16-B-NI	16	16	M 10	46	57	55	78	25.5	6	22	638
GN 490-18-18-B-NI	18	18	M 10	56	63	55	78	28.5	6	24	838
GN 490-20-20-B-NI	20	20	M 10	56	65	55	78	28.5	8	28	935

